



# SOFT SEATED GATE VALVE

innovations with a "difference"

### Specification & Features

- Resilient Seated Ductile Iron Gate Valve or commonly known as Sluice Valve is designed to comply with BS 5163.
- Straight through bore)
- a) Full Flow - The clear bore in the open position ensures optimum flow characteristics through the valve thereby reducing head loss.
- b) Full Close - No accumulation of debris under the wedge enabling the valve to be fully closed.
- Lower operating torque savings on automatic operators.
- Flange Ends, Bolted Bonnet, Inside Screw, Non-Rising Stem.
- Hand Wheel Operated.

Suitable for : Water, Air, Fire Fighting & Marine Applications

SAVE TO SURVIVE



HYDRO TEST DETAIL		
DN	40~600	
Nominal Pressure MPa	1.0 MPa	1.6 MPa
Shell Test MPa	1.5MPa	2.4 Mpa
Seat Test Mpa	1.1 Mpa	1.76 Mpa
Work Temperature	< 80 °C	
Medium	Water ,Waste Water	
Material	Ductile Iron	

ARTICLE NO.: LPV 1045

WWW.LPVALVES.COM

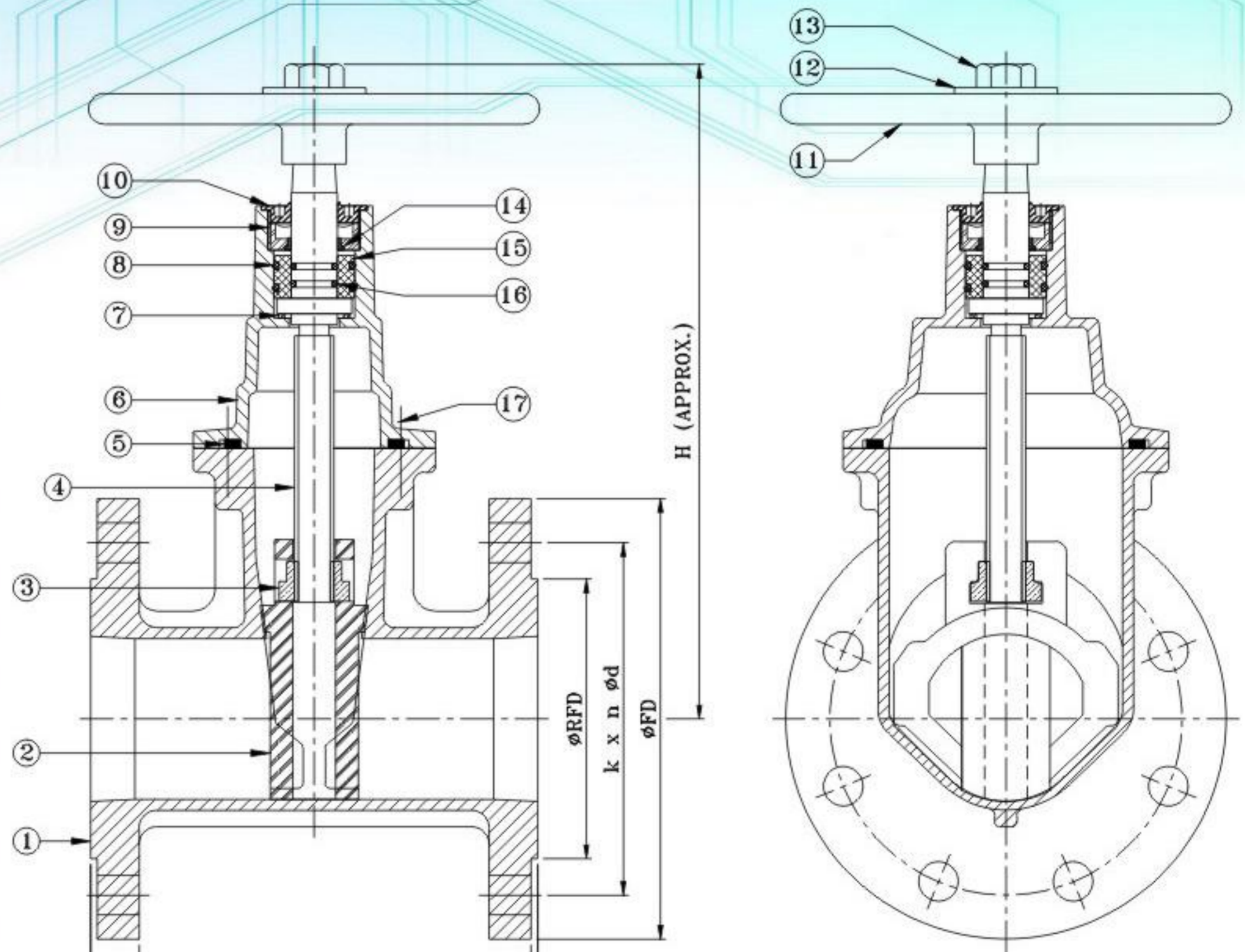


# SOFT SEATED GATE VALVE

innovations with a "difference"

### Materials of Construction:

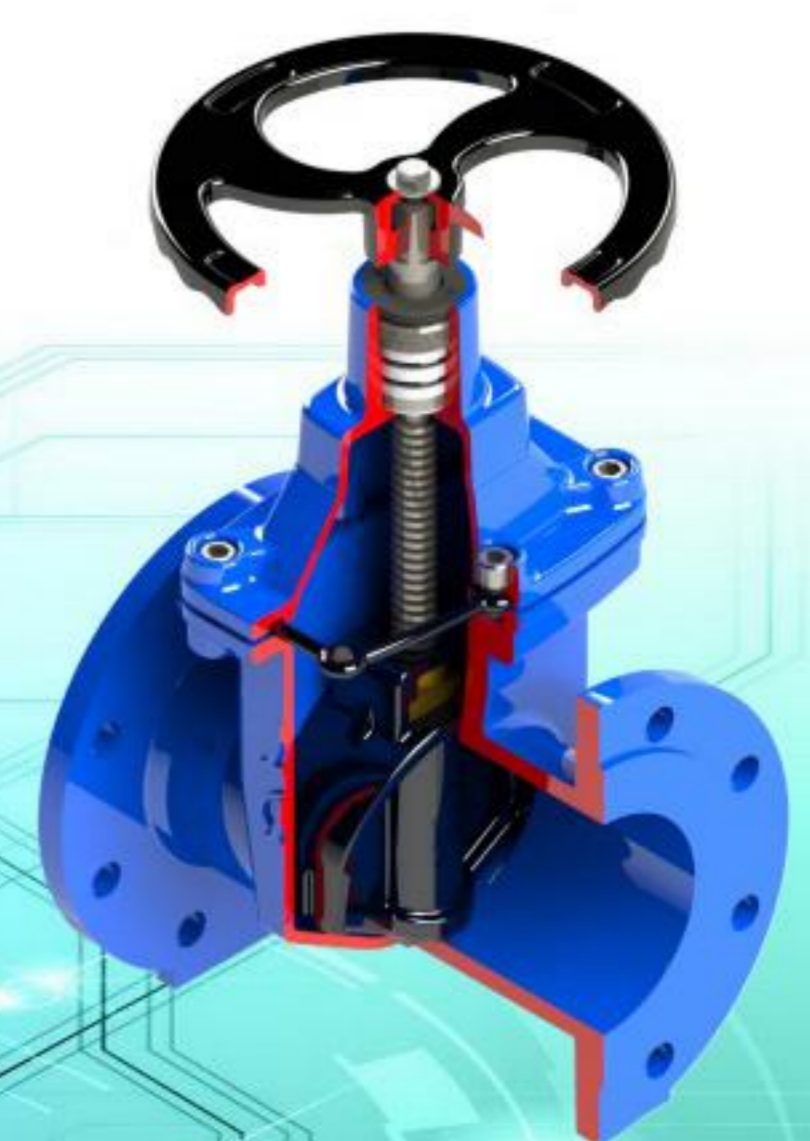
SR. NO.	PART NAME	MATERIAL
1.	BODY	DI
2.	WEDGE	DI
3.	WEDGE NUT	LEADED TIN BRONZE
4.	STEM	13%Cr.
5.	GASKET	RUBBER
6.	BONNET	DI
7.	WASHER	PTFE
8.	PACKING O'RING	RUBBER
9.	CHECK NUT	S.S
10.	DUST COVER	PLASTIC
11.	HANDWHEEL	DI
12.	WASHER	CARBON STEEL
13.	BOLT	CARBON STEEL
14.	ADJUSTING RING	PTFE
15.	PACKING BUSH	PTFE
16.	STEM O'RING	RUBBER
17.	BODY & BONNET JOINT FASTNER	CARBON STEEL



k = P.C.D.  
n = Nos. Off Holes  
Ød = Dia. Of Holes

### Sizes / Dimensions:

Inches	mm	FF	Ø FD	FT	Ø RFD	RFH	k	n-Ø d	H
1 ½"	40	178	150	19	84	3	110	4-19	198
2"	50	178	165	19	99	3	125	4-19	205
2 ½"	65	190	185	19	118	3	145	4-19	241
3"	80	203	200	21	133	3	160	4-19	277
4"	100	229	220	22	153	3	180	8-19	315
5"	125	254	250	22.5	183	3	210	8-19	360
6"	150	267	285	23	209	3	240	8-23	435
8"	200	292	340	24.5	264	3	295	8-23	545
10"	250	330	395	26	319	4	350	12-23	580
12"	300	356	445	27.5	367	4	400	12-23	670
14"	350	381	505	29	427	4	460	16-23	750
16"	400	406	565	30	477	4	515	16-28	910
18"	450	432	615	31.5	527	4	565	20-28	970
20"	500	457	670	33	582	4	620	20-28	1070
24"	600	508	780	36	682	5	725	20-31	1215



WWW.LPVALVES.COM