



## C.I./D.I. BUTTERFLY VALVE EXPORT MODEL

innovations with a "difference"

### Specifications & feature:

100% Leak Tight Design.  
Compact Design to Facilitate Installation.  
No Part In Contact with Fluid Except Disc & Liner.

### Applications:

Paper & Pulp Industry, Waste & effluent Treatment Plants, Water Treatment, Chemical & Sugar Industry, Fire fighting, Drilling Rig, Heating & Air Conditioning, Cooling Water Circulation, Compressed Air, Civil Constructions & numerous other applications.

**Design standard:** IS-13095, BS-5155

Insertion between flanges  
ANSI B16.1 CL-150, PN-16, BS10 Table-D, BS10 Table-E



ARTICLE NO. : LPV 1025, 1027, 1029

### HYDRO TEST DETAIL

DN	40~600	
NOMINAL PRESSURE MPa	1.0 MPa	1.6 MPa
SHELL TEST MPa	1.5 MPa	2.4 MPa
SEAT TEST MPa	1.1 MPa	1.76 MPa
WORKING TEMPERATURE	<80 °C	
MEDIUM	Water, Waste Water	
MATERIAL	Ductile Iron	
PNEUMATIC SEAT TEST	0.7 MPa	

WWW.LPVALVES.COM



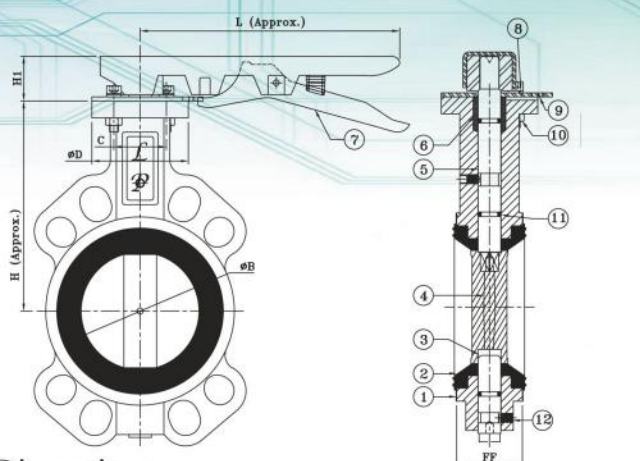
## C.I./D.I. BUTTERFLY VALVE EXPORT MODEL

innovations with a "difference"

### Clutch Type Handles:

### Materials of Construction:

S.No.	PART NAME	Nos. Off	MATERIAL
1.	BODY	1	C.I./D.I.
2.	RUBBER LINER	-	EPDM/NITRILE
3.	LOWER SPINDLE	1	13%Cr.
4.	DISC	1	D.I./CF-8/CF-8M
5.	UPPER SPINDLE	1	13%Cr.
6.	PACKING BUSH	1	PTFE
7.	HANDLE ASSY.	-	SHEET METAL/D.I.
8.	WASHER	2	S.S.
9.	LOCKING PLATE	1	M.S.
10.	ALLEN BOLTS & NUTS	2 EACH	S.S.
11.	O- RING	3	NBR
12.	GRUB SCREW	2	M.S.



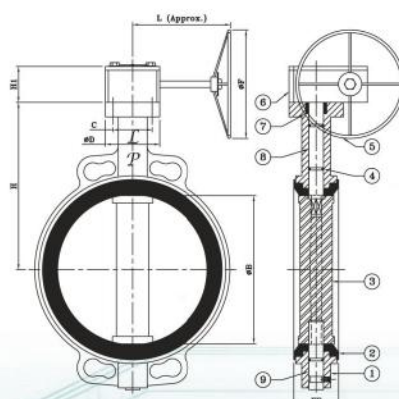
### Size/ Dimensions

Inches	mm	FF+2	ØB	C (P.C.D.)	ØD	H	H1	L
1½"	40	33	40	50	65	109	30	177
2"	50	43	51	50	65	128	30	177
2½"	65	46	65	50	65	144	30	177
3"	80	46	81	50	65	148	30	177
4"	100	52	103	50	65	166	30	177
5"	125	56	125	70	90	192	30	265
6"	150	56	153	70	90	206	30	265
8"	200	60	201	70	90	235	30	265

### Gear box type:

### Size/ Dimensions

Inches	mm	FF+2	ØB	C (P.C.D.)	ØD	H	H1	ØF	L
2"	50	43	51	50	65	128	52	235	185
2½"	65	46	65	50	65	144	52	235	185
3"	80	46	81	50	65	148	52	235	185
4"	100	52	103	50	65	166	52	235	185
5"	125	56	125	50	65	188	52	235	185
6"	150	56	153	70	90	206	52	235	185
8"	200	60	201	70	90	235	52	235	185
10"	250	68	253	70	90	282	52	235	185
12"	300	78	300	70	90	302	70	280	265
14"	350	92	331.2	102	125	325	70	280	265
16"	400	102	385.6	102	125	372	80	430	280
18"	450	114	419	125	150	377	92	520	320
20"	500	127	471.4	125	150	400	92	520	320
24"	600	154	574	125	150	505	92	520	320



### Materials of Construction:

S.No.	PART NAME	Nos. Off	MATERIAL
1.	BODY	1	CL/D.I.
2.	RUBBER LINER	-	EPDM/NITRILE
3.	DISC	1	D.I./CF-8/CF-8M
4.	O- RING	3	NBR
5.	WHEEL	1	M.S.(FABRICATED ASSY.)
6.	GEAR BOX ASSY.	-	CAST IRON
7.	PACKING BUSH	-	PIFE
8.	UPPER SPINDLE	1	AISI410 13%Cr.
9.	LOWER SPINDLE	1	AISI410 13%Cr.
10.	BOLTS & NUTS	-	CARBON STEEL IS 1363

WWW.LPVALVES.COM

ARTICLE NO. : LPV 1026, 1028, 1030